

# SIMONWORK WAGON 2-400

## Clipboard



**103 x 90 x 40 cm\***  
**40.5" x 35.4" x 15.7"**

**5** Años Garantía  
 Years Guarantee  
 Jahre Garantie  
 Ans Garantie  
**SIMONRACK**



- |                                  |   |                                  |                                  |
|----------------------------------|---|----------------------------------|----------------------------------|
| <b>4 x</b><br><br>92 cm<br>36.2" | <b>2 x</b><br><br>40x90 cm<br>15.7"x35.4" | <b>3 x</b><br><br>40 cm<br>15.7" | <b>4 x</b><br><br>90 cm<br>35.4" |
| <b>1 x</b><br><br>40 cm<br>15.7" | <b>2 x</b><br><br>80 mm<br>3.2"           | <b>2 x</b><br><br>80 mm<br>3.2"  | <b>8 x</b><br><br>80 mm<br>3.2"  |



\*MEDIDAS EN USO: 1030 x 911 x 410 mm  
 USED MEASUREMENTS: 40.55" x 35.87" x 16.14"



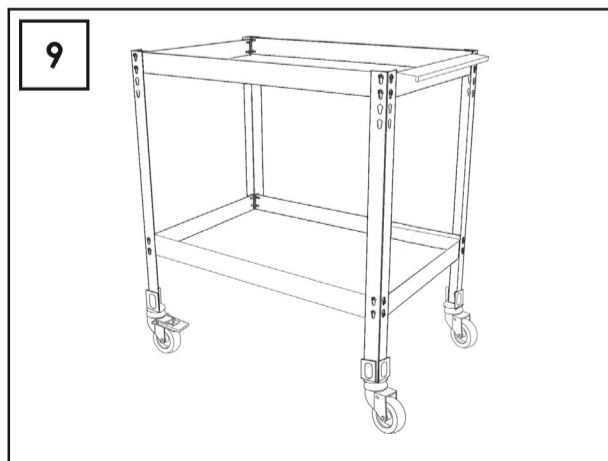
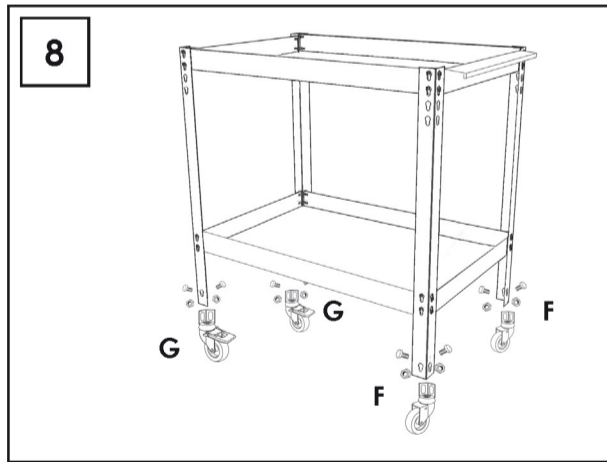
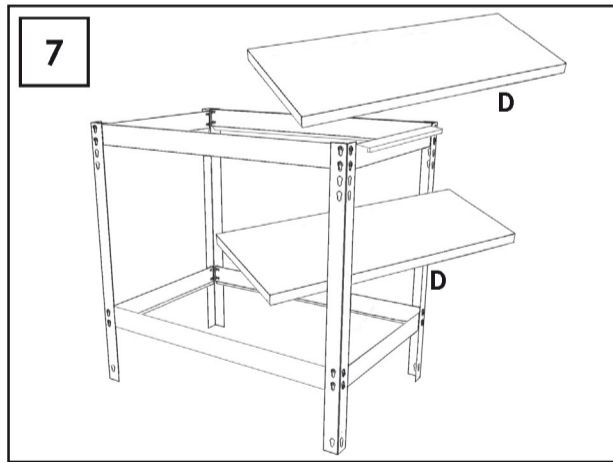
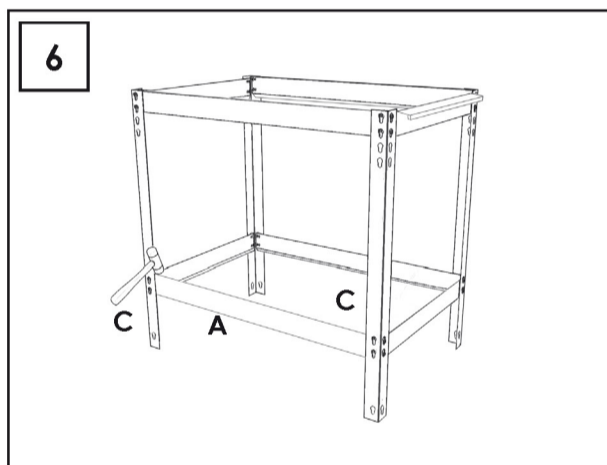
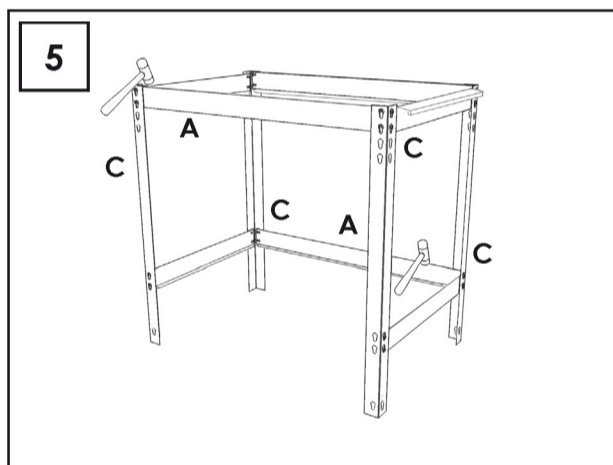
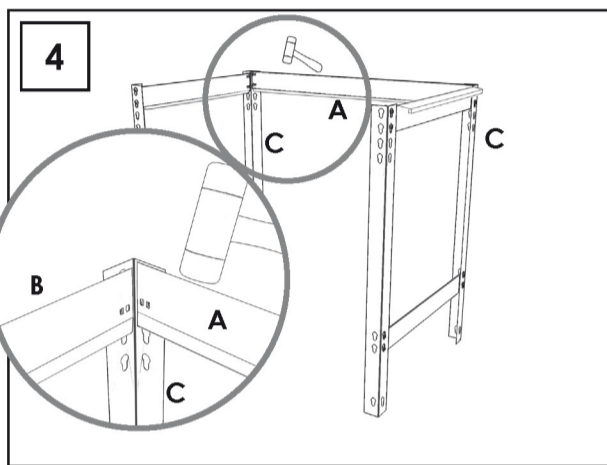
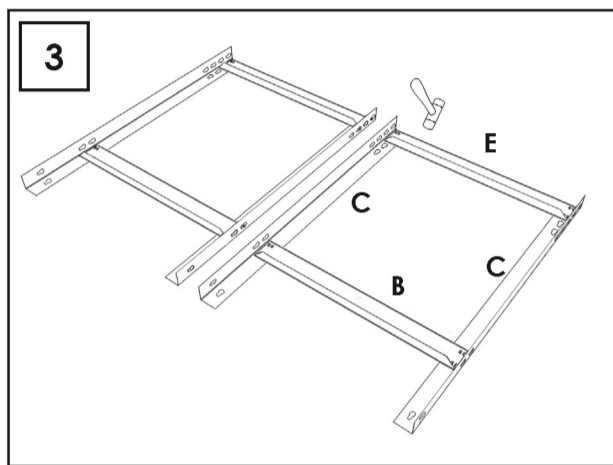
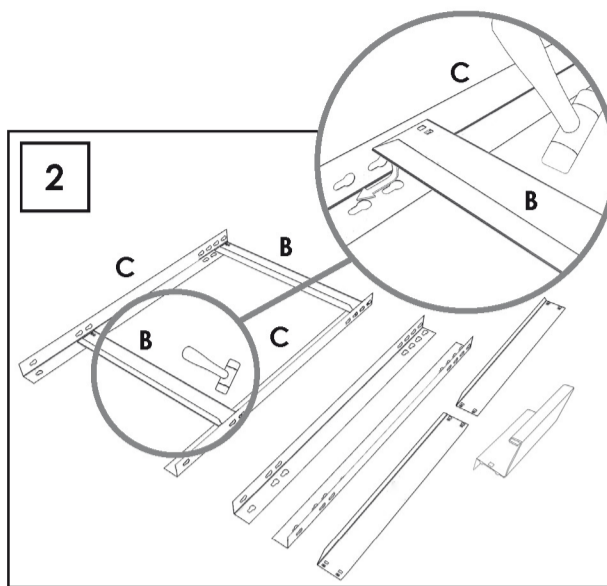
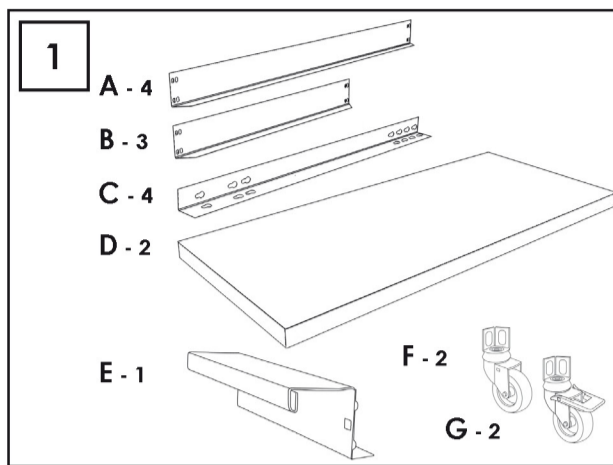
ESTANTERIAS SIMON S.L. B.50.556.463  
 PG. ALFAMEN C/ POLIGONO C, Nº3  
 ALFAMEN (ZARAGOZA)



[www.simonrack.com](http://www.simonrack.com)



INSTRUCCIONES  
 INSTRUCTIONS  
 ANLEITUNG  
 INSTRUCTIONS



**SIMONCLASSIC**



**SIMONCLICK**



**SIMONTALLER**



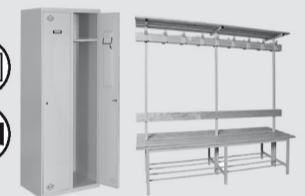
**SIMONAUTO**



**SIMONWORK**



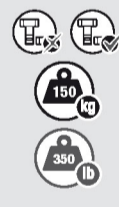
**SIMONLOCKER**



**SIMONOFFICE**



**SIMONHOME**



**SIMONGARDEN**



**SIMONTITÁN**



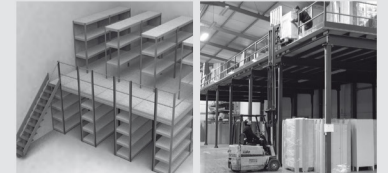
**SIMONINOX**



**SIMONINDUSTRIAL**



ALTILLOS Y PASILLOS ELEVADOS  
PLATFORMS AND MEZZANINES  
LAGERBÜHNEN • PLATES-FORMES ET MEZZANINES



\* Kg / lb per bandeja con carga uniformemente repartida  
Kg / lb per shelf uniformly distributed load  
Kg / lb pro fach bei gleichmäßig verteilter last  
Kg / lb par plateau avec charge uniformément répartie

www.simonrack.com • www.simonrack.com • www.simonrack.com • www.simonrack.com • www.simonrack.com

