

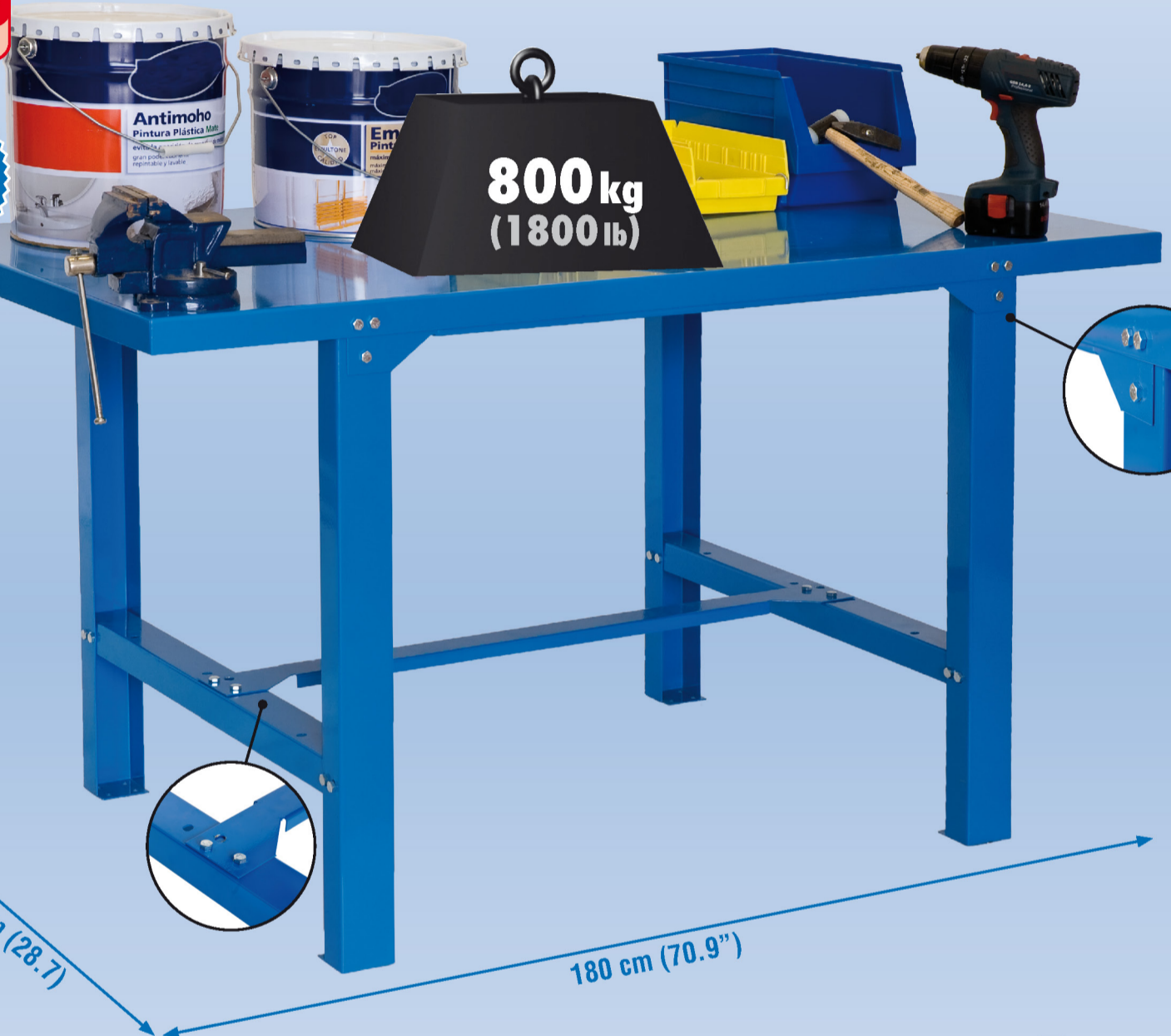
# SIMONWORK BT6 1800 Metal



**83 x 180 x 73 cm**  
**32.7" x 70.9" x 28.7"**



**5** Años Garantía  
 Years Guarantee  
 Jahre Garantie  
 Ans Garantie  
**SIMONRACK**



- |                                    |                                  |  |                                   |
|------------------------------------|----------------------------------|--|-----------------------------------|
| <b>4 x</b><br><br>82.5 cm<br>32.5" | <b>2 x</b><br><br>72 cm<br>28.3" | <b>2 x</b><br><br>72 cm<br>28.3"             | <b>2 x</b><br><br>100 cm<br>39.4" |
| <b>46 x</b><br><br>46 x            | <b>46 x</b><br><br>46 x          | <b>1 x</b><br><br>73x180 cm<br>28.7" x 70.9" |                                   |



**Simon**  
**Rack**  
 SINCE 1964 - MANUFACTURER

ESTANTERIAS SIMON S.L. B.50.556.463  
 PG. ALFAMEN C/ POLIGONO C. Nº3  
 ALFAMEN (ZARAGOZA)

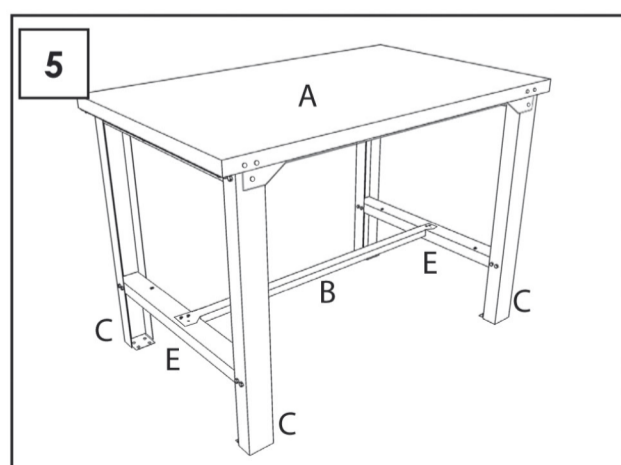
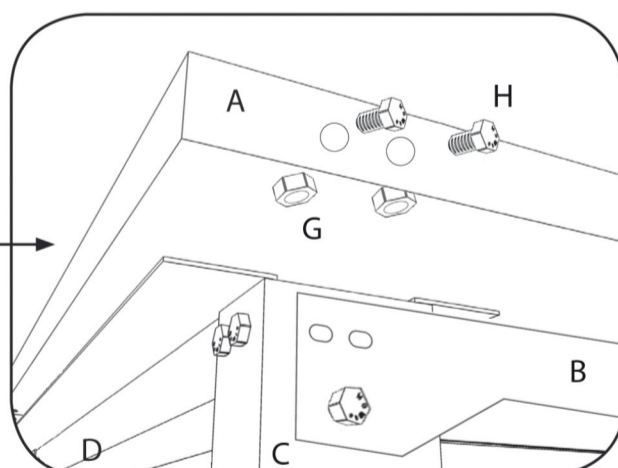
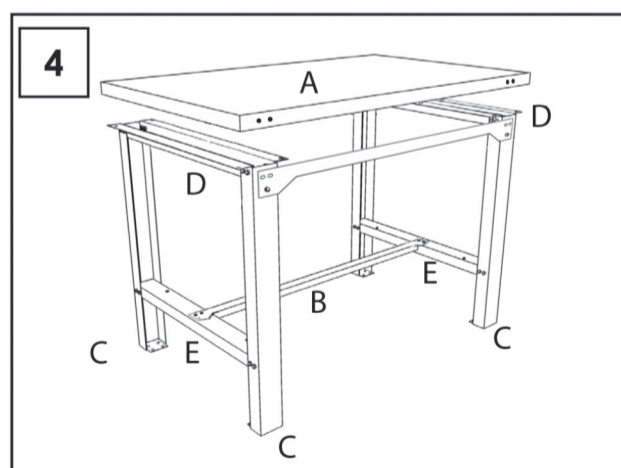
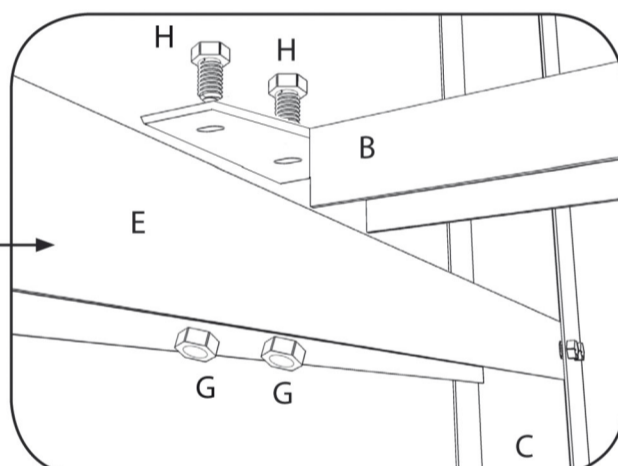
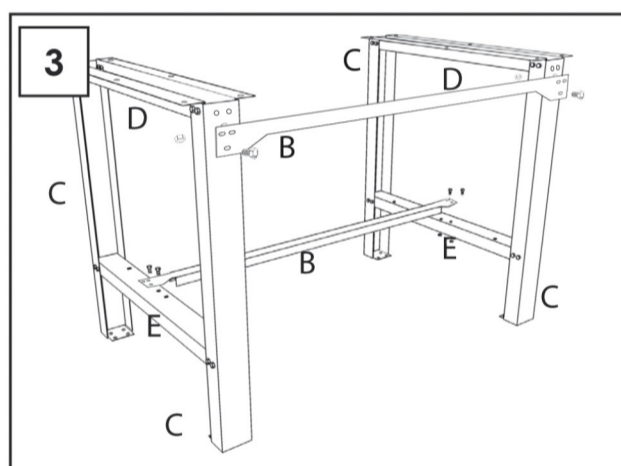
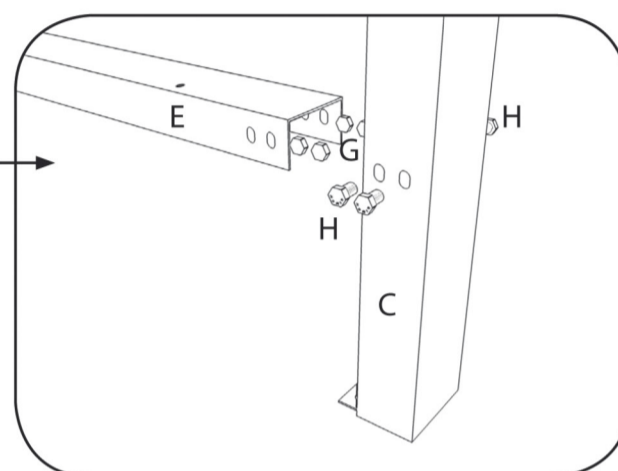
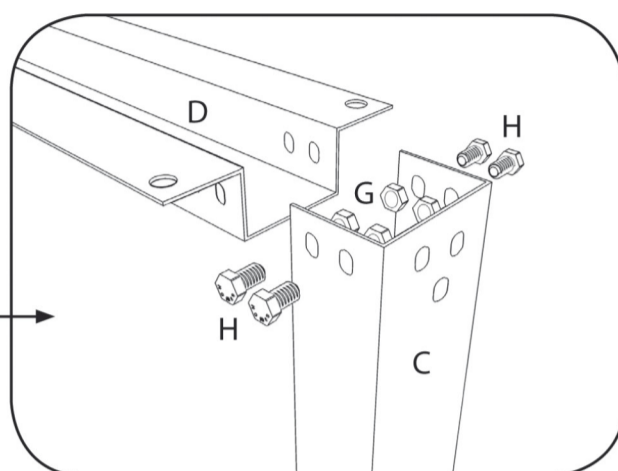
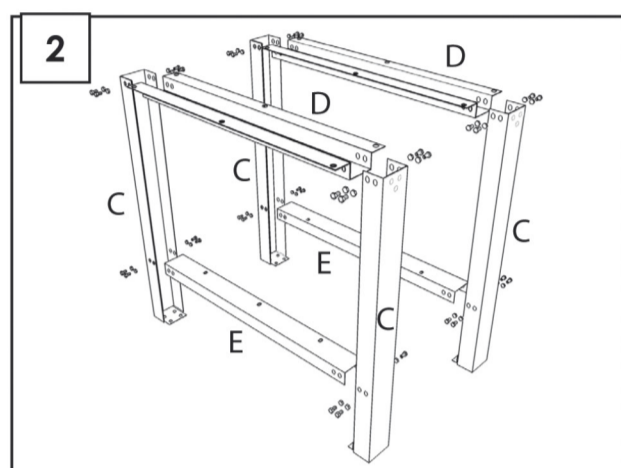
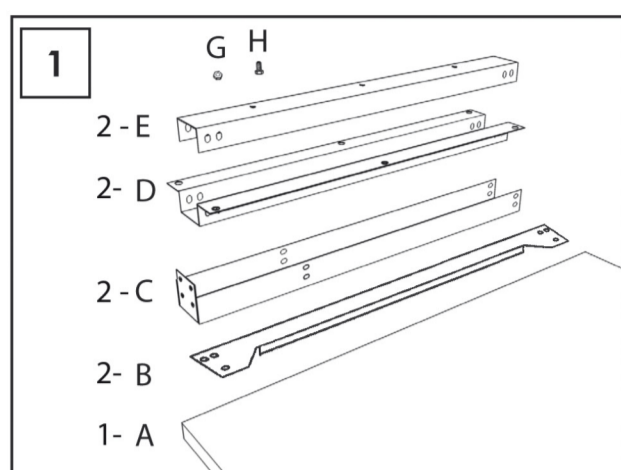


[www.simonrack.com](http://www.simonrack.com)



Management System  
 ISO 9001:2015  
 www.tuv.com  
 ID 9130544225

INSTRUCCIONES  
 INSTRUCTIONS  
 ANLEITUNG  
 INSTRUCTIONS



**SIMONCLASSIC**



**SIMONCLICK**



**SIMONTALLER**



**SIMONAUTO**



**SIMONWORK**



**SIMONLOCKER**



**SIMONOFFICE**



**SIMONHOME**



**SIMONGARDEN**



**SIMONTITÁN**

**SIMONINOX**



**SIMONINDUSTRIAL**

**SIMONPALET**



**SIMONLEVER**



ALTILOS Y PASILLOS ELEVADOS  
PLATFORMS AND MEZZANINES  
LAGERBÜHNEN • PLATES-FORMES ET MEZZANINES



\* Kg / lb por bandeja con carga uniformemente repartida  
Kg / lb per shelf uniformly distributed load  
Kg / lb pro fach bei gleichmäßig verteilter Last  
Kg / lb par plateau avec charge uniformément répartie

