

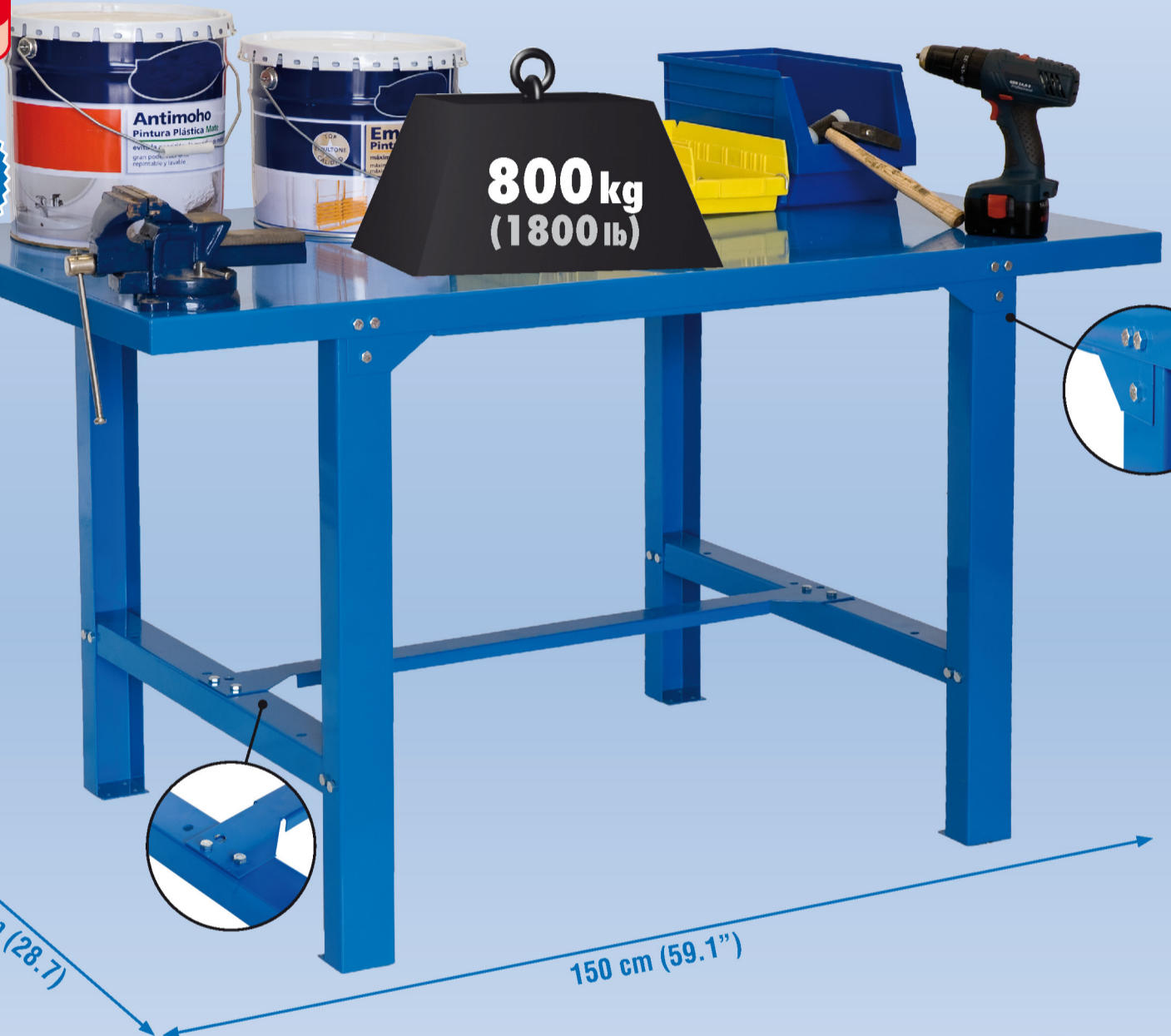
SIMONWORK BT6 1500 *Metal*



83 x 150 x 73 cm
32.7" x 59.1" x 28.7"



5 Años Garantía
 Years Guarantee
 Jahre Garantie
 Ans Garantie
SIMONRACK



- 4 x 82.5 cm (32.5")
- 2 x 72 cm (28.3")
- 2 x 72 cm (28.3")
- 2 x 100 cm (39.4")
- 46 x [Bolt]
- 46 x [Nut]
- 1 x 73x150 cm (28.7" x 59.1")



Simon
Rack
 SINCE 1964 - MANUFACTURER

ESTANTERIAS SIMON S.L. B.50.556.463
 PG. ALFAMEN C/ POLIGONO C. Nº3
 ALFAMEN (ZARAGOZA)

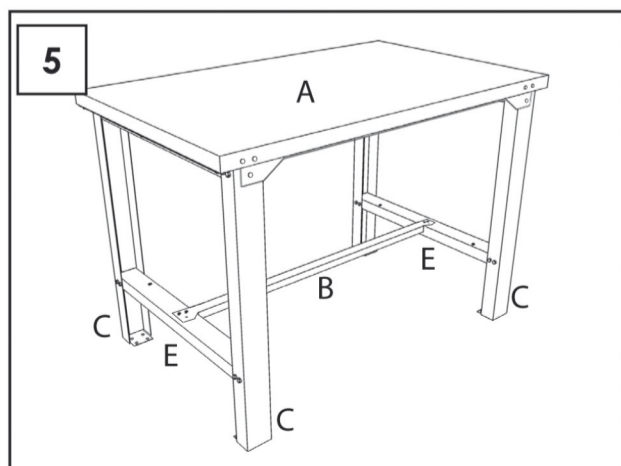
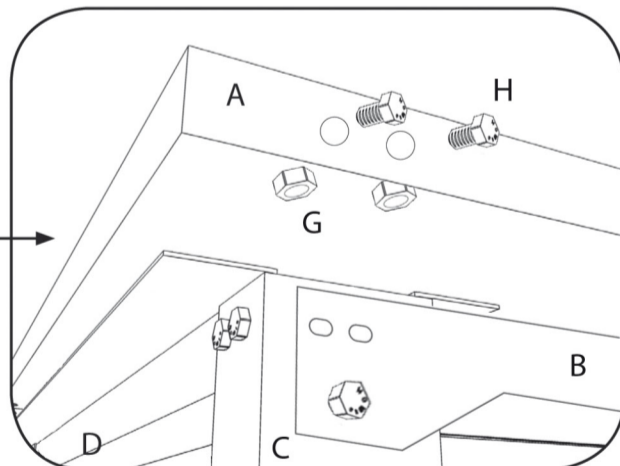
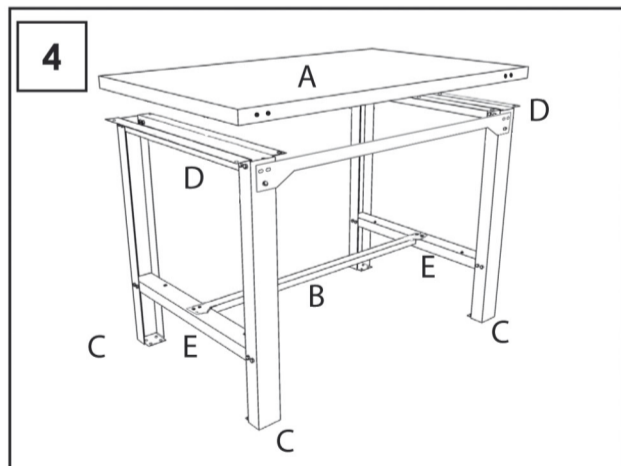
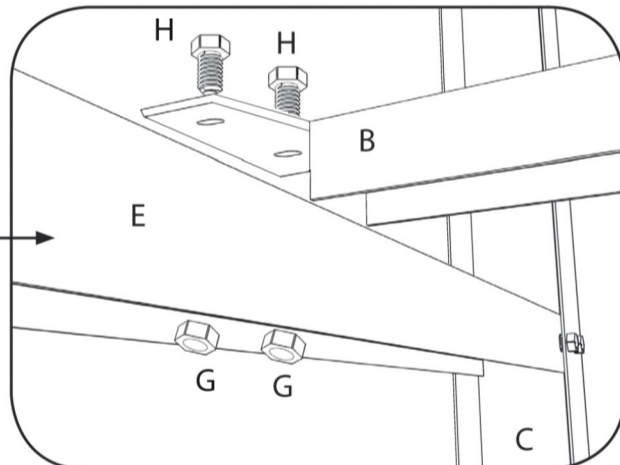
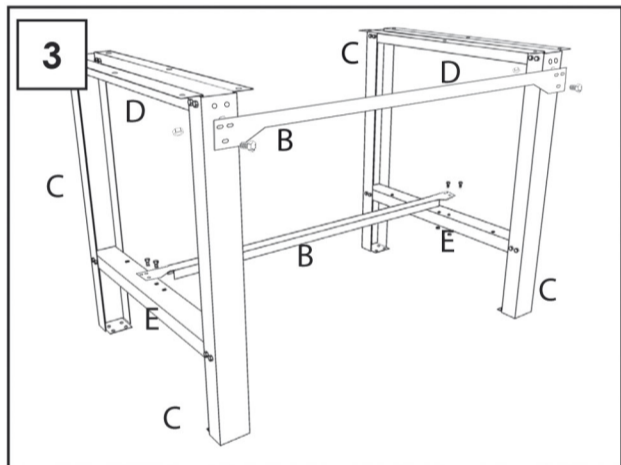
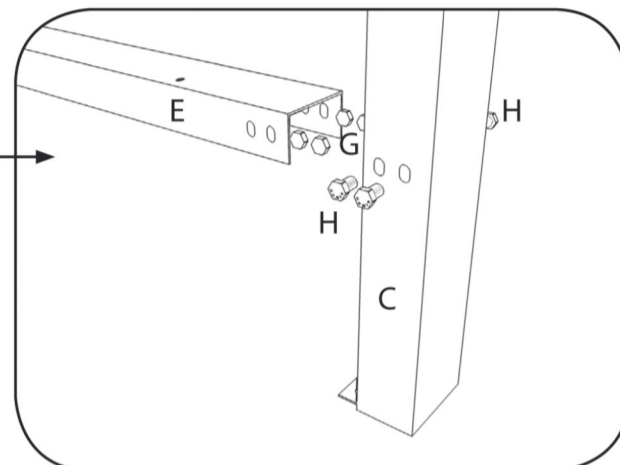
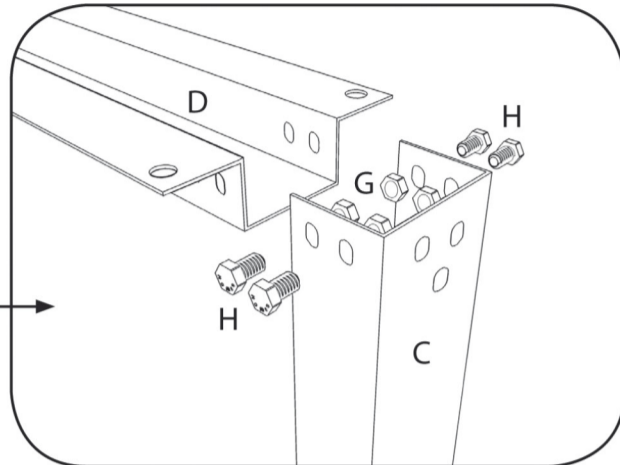
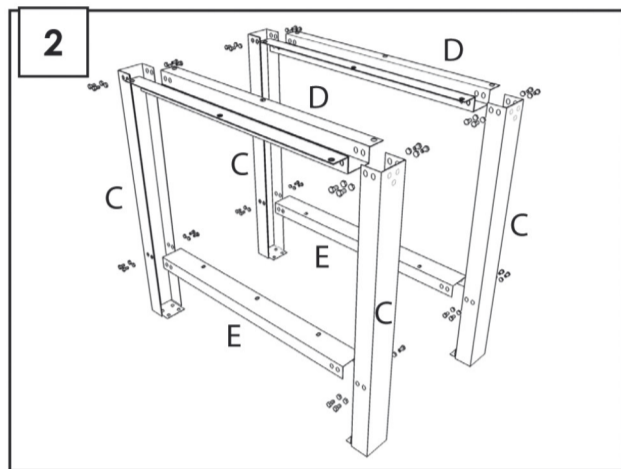
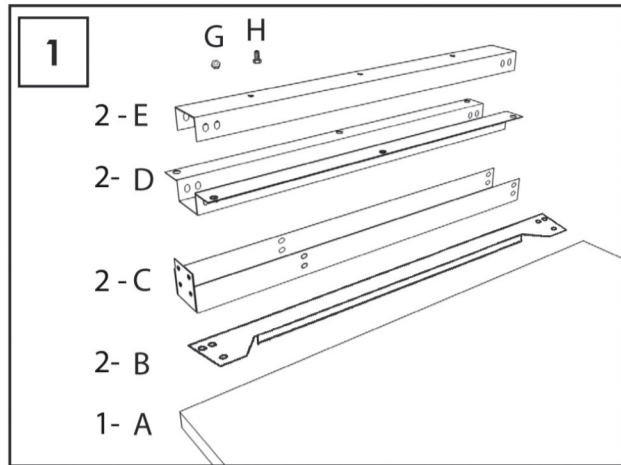


www.simonrack.com



Management System
 ISO 9001:2015
 www.tuv.com
 ID 910504425

INSTRUCCIONES
INSTRUCTIONS
ANLEITUNG
INSTRUCTIONS



SIMONCLASSIC



SIMONCLICK



SIMONTALLER



SIMONAUTO



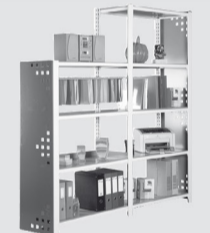
SIMONWORK



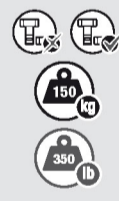
SIMONLOCKER



SIMONOFFICE



SIMONHOME



SIMONGARDEN

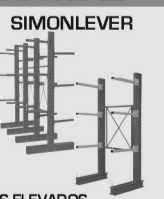


SIMONTITÁN

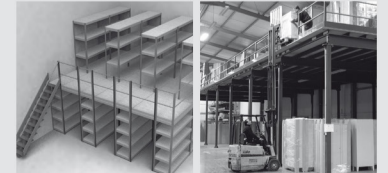
SIMONINOX



SIMONINDUSTRIAL



ALTILLOS Y PASILLOS ELEVADOS
PLATFORMS AND MEZZANINES
LAGERBÜHNEN • PLATES-FORMES ET MEZZANINES



* Kg / lb per bandeja con carga uniformemente repartida
Kg / lb per shelf uniformly distributed load
Kg / lb pro fach bei gleichmäßig verteilter last
Kg / lb par plateau avec charge uniformément répartie