

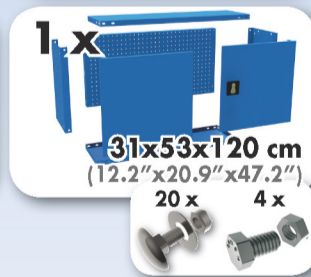
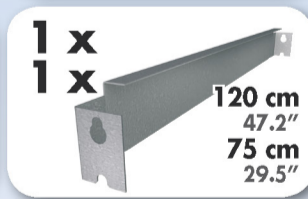
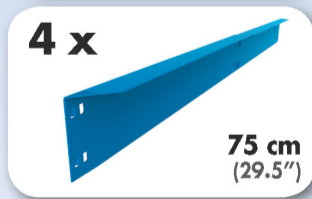
SIMONWORK BTO 1200

Locker



84,2 x 121 x 76 cm
33.1" x 47.6" x 29.9"

5 Años Garantía
Years Guarantee
Jahre Garantie
Ans Garantie
SIMONRACK



ESTANTERIAS SIMON S.L. B.50.556.463
PG. ALFAMEN C/ POLIGONO C. Nº3
ALFAMEN (ZARAGOZA)

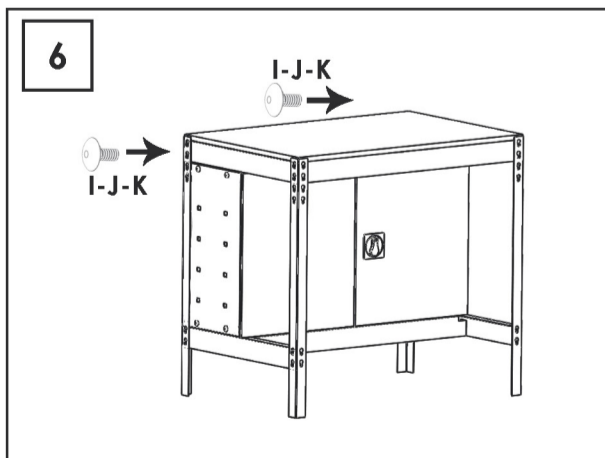
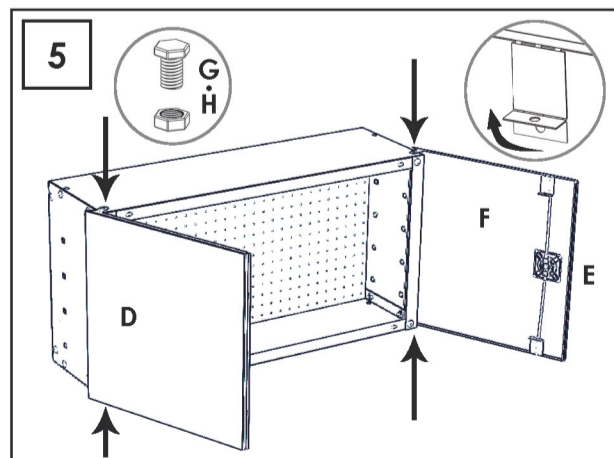
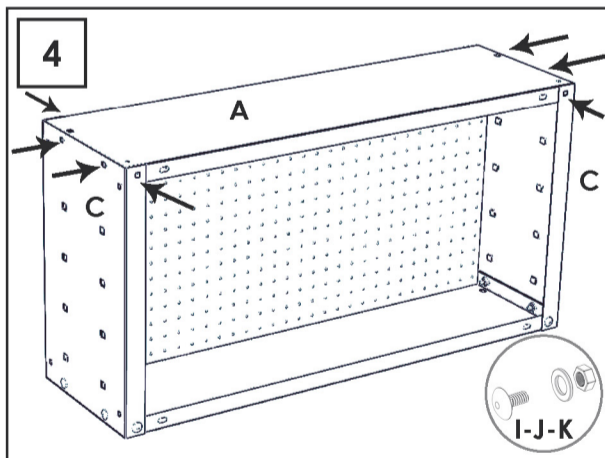
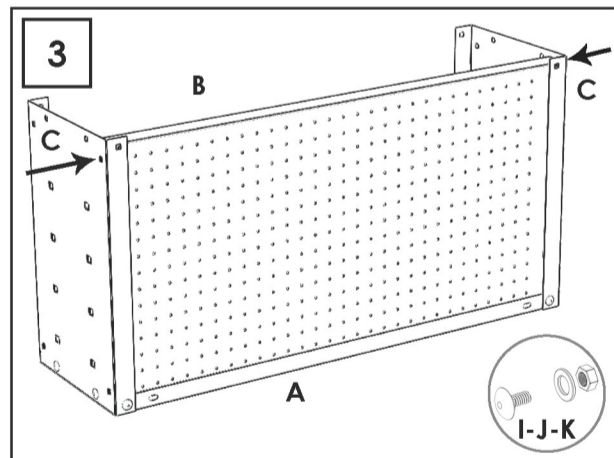
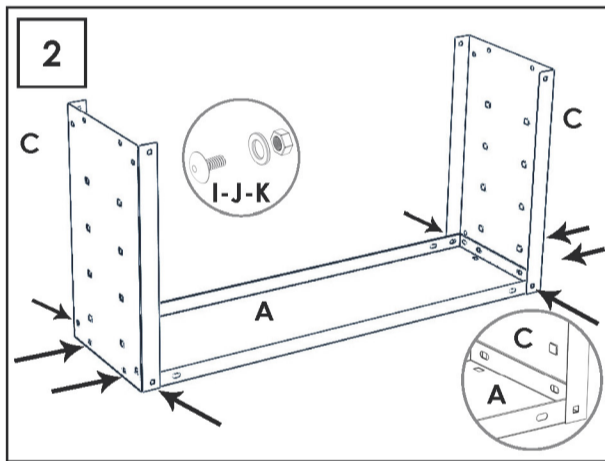
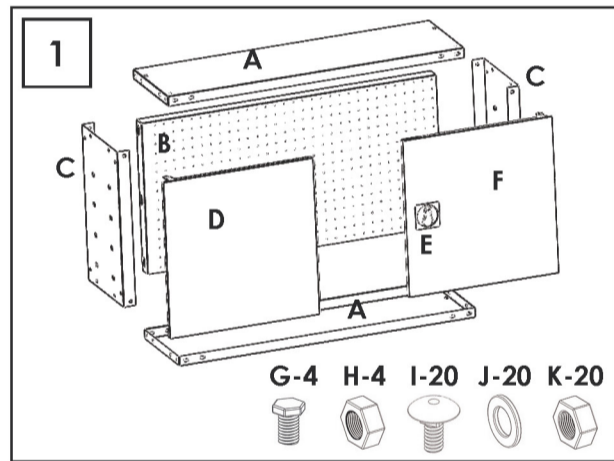
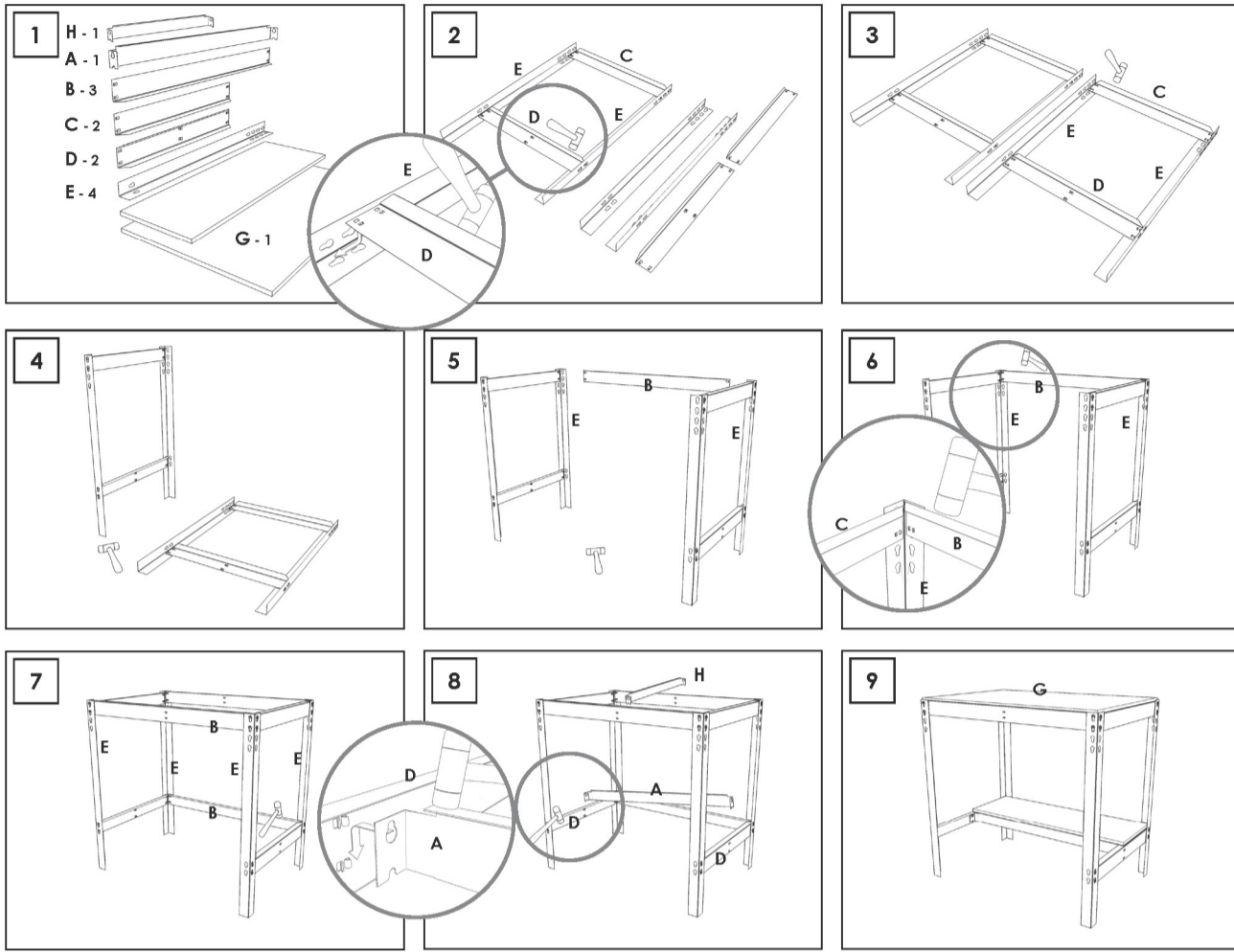


www.simonrack.com



Management System
ISO 9001:2008
www.tuv.com
ID 910504425

INSTRUCCIONES
INSTRUCTIONS
ANLEITUNG
INSTRUCTIONS



SIMONCLASSIC
150 kg / 330 lb

SIMONCLICK
400 kg / 900 lb

SIMONTALLER
700 kg / 1550 lb

SIMONAUTO
300 kg / 660 lb

SIMONWORK
800 kg / 1800 lb

SIMONLOCKER

SIMONOFFICE
275 kg / 600 lb

SIMONHOME
150 kg / 330 lb

SIMONGARDEN
600 kg / 1350 lb

SIMONTITÁN **SIMONINOX**

SIMONINDUSTRIAL
SIMONPALET: 4500 kg / 9950 lb
SIMONLEVER

ALTILLOS Y PASILLOS ELEVADOS
PLATFORMS AND MEZZANINES
LAGERBÜHNEN • PLATES-FORMES ET MEZZANINES

* Kg / lb per bandeja con carga uniformemente repartida
Kg / lb per shelf uniformly distributed load
Kg / lb pro fach bei gleichmäßig verteilter last
Kg / lb par plateau avec charge uniformément répartie

www.instructionsrack.com • www.simonrack.com • www.simonrack.com • www.simonrack.com • www.simonrack.com

