

SIMONWORK BT3 BOX 1500

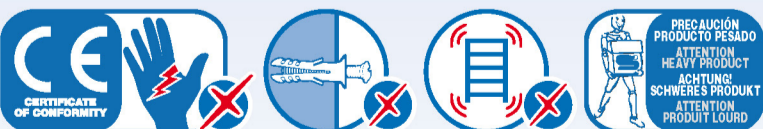


144,5 x 151 x 61 cm
56.9" x 59.4" x 24.0"

5 Años Garantía
 Years Guarantee
 Jahre Garantie
 Ans Garantie
SIMONRACK



- | | | | | | |
|---------------------------------|---|---|-----------------------|------------------------|---|
| 1 x
150x60 cm
59.1"x23.6" | 2 x
84 cm
33.1"
2 x
144 cm
56.7" | 1 x
MDF
60x150 cm
23.6"x59.1"
1 x
35x150 cm
13.8"x59.1" | 4 x
60 cm
23.6" | 3 x
150 cm
59.1" | 1 x
150 cm
59.1"
1 x
60 cm
23.6" |
| 2 x
9,5x19 cm
3.7"x7.5" | 1 x
150x20 cm
59.1"x7.9" | 6 x | 2 x
60 cm
23.6" | 2 x
58 cm
22.8" | 1 x
35 kg
(80 lb)
56x137 cm
22.0"x53.9" |



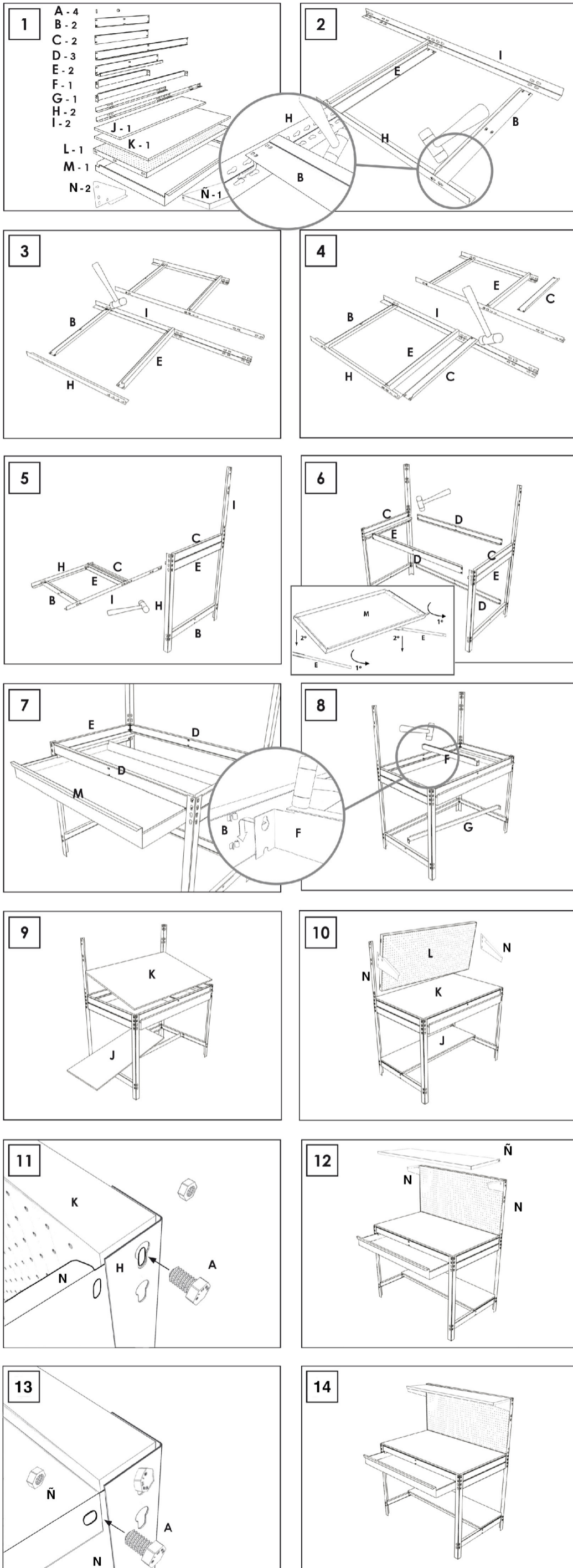
ESTANTERIAS SIMON S.L. B.50.556.463
 PG. ALFAMEN C/ POLIGONO C. Nº3
 ALFAMEN (ZARAGOZA)



www.simonrack.com



INSTRUCCIONES
 INSTRUCTIONS
 ANLEITUNG
 INSTRUCTIONS



SIMONCLASSIC



SIMONCLICK



SIMONTALLER



SIMONAUTO



SIMONWORK



SIMONLOCKER



SIMONOFFICE



SIMONHOME



SIMONGARDEN



SIMONTITÁN

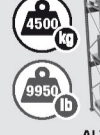
SIMONINOX



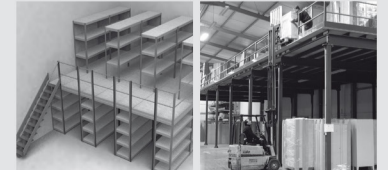
SIMONINDUSTRIAL

SIMONPALET

SIMONLEVER



ALTILLOS Y PASILLOS ELEVADOS
PLATFORMS AND MEZZANINES
LAGERBÜHNEN • PLATES-FORMES ET MEZZANINES



* Kg / lb por bandeja con carga uniformemente repartida
Kg / lb per shelf uniformly distributed load
Kg / lb pro fach bei gleichmäßig verteilter last
Kg / lb par plateau avec charge uniformément répartie