

SIMONWORK BT3 BOX 900

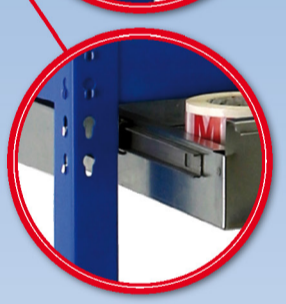
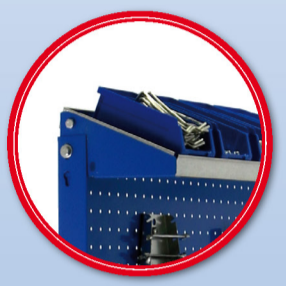


144,5 x 91 x 61 cm
56.9" x 35.8" x 24.0"

5 Años Garantía
 Years Guarantee
 Jahre Garantie
 Ans Garantie
SIMONRACK



144,5 cm (56.9")



61 cm (24.0")

91 cm (35.8")

84,2 cm (33.1")

60,3 cm (23.7")

25 kg (55 lb)

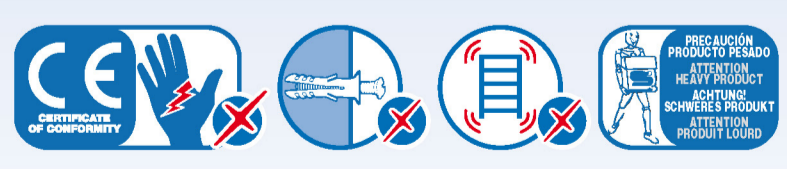
400 kg (880 lb)

35 kg (80 lb)

250 kg (550 lb)



- 1 x 90x60 cm (35.4"x23.6")
- 2 x 84 cm (33.1")
- 2 x 144 cm (56.7")
- 3 x 90 cm (35.4")
- 4 x 60 cm (23.6")
- 2 x 9,5x19 cm (3.7"x7.5")
- 1 x 90x20 cm (35.8"x7.9")
- 1 x 60x90 cm (23.6"x35.4")
- 1 x 35x90 cm (13.8"x35.4")
- 1 x 90 cm (35.4")
- 6 x
- 2 x 60 cm (23.6")
- 2 x 58 cm (22.8")
- 1 x 35 kg (80 lb)
- 56x77 cm (22.0"x30.3")



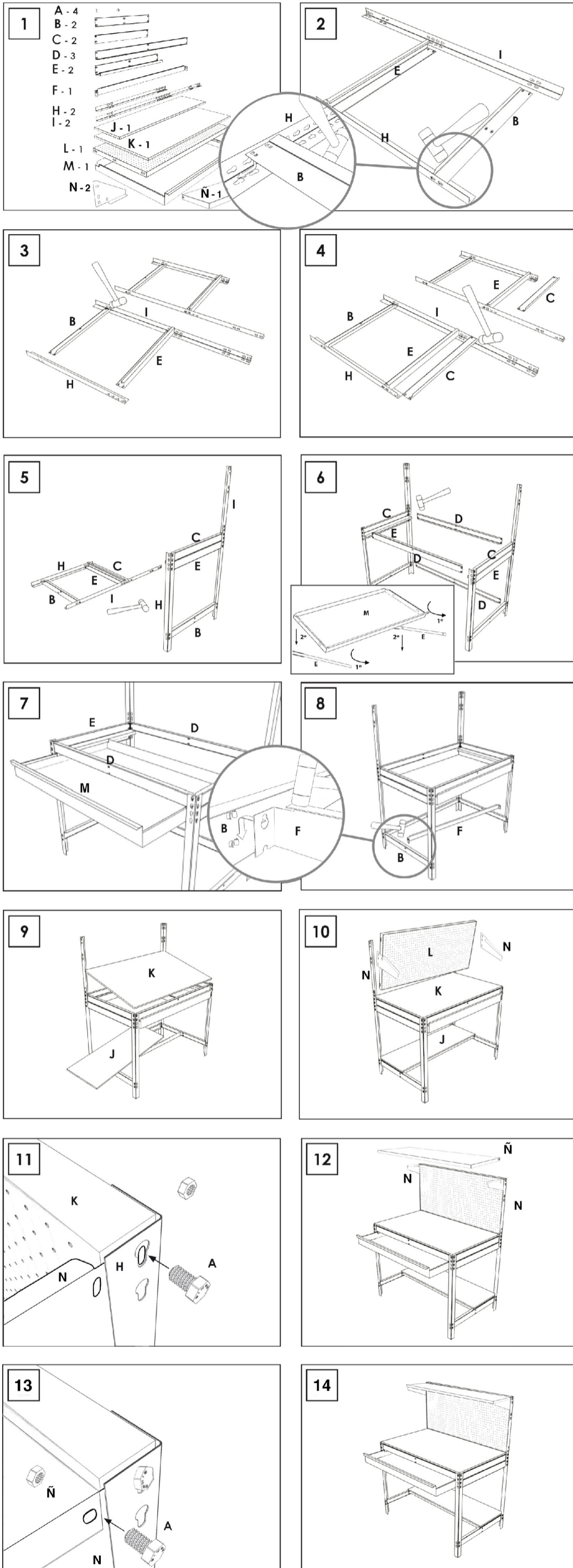
ESTANTERIAS SIMON S.L. B.50.556.463
 PG. ALFAMEN C/ POLIGONO C. Nº3
 ALFAMEN (ZARAGOZA)



www.simonrack.com



INSTRUCCIONES
 INSTRUCTIONS
 ANLEITUNG
 INSTRUCTIONS



www.simonrack.com • www.instructionsrack.com/bt3box

SIMONCLASSIC



SIMONCLICK



SIMONTALLER



SIMONAUTO



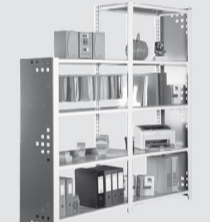
SIMONWORK



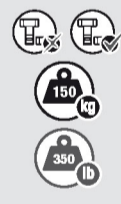
SIMONLOCKER



SIMONOFFICE



SIMONHOME



SIMONGARDEN



SIMONTITÁN

SIMONINOX



SIMONINDUSTRIAL



ALTILLOS Y PASILLOS ELEVADOS
PLATFORMS AND MEZZANINES
LAGERBÜHNEN • PLATES-FORMES ET MEZZANINES



* Kg / lb por bandeja con carga uniformemente repartida
Kg / lb per shelf uniformly distributed load
Kg / lb pro fach bei gleichmäßig verteilter last
Kg / lb par plateau avec charge uniformément répartie

