

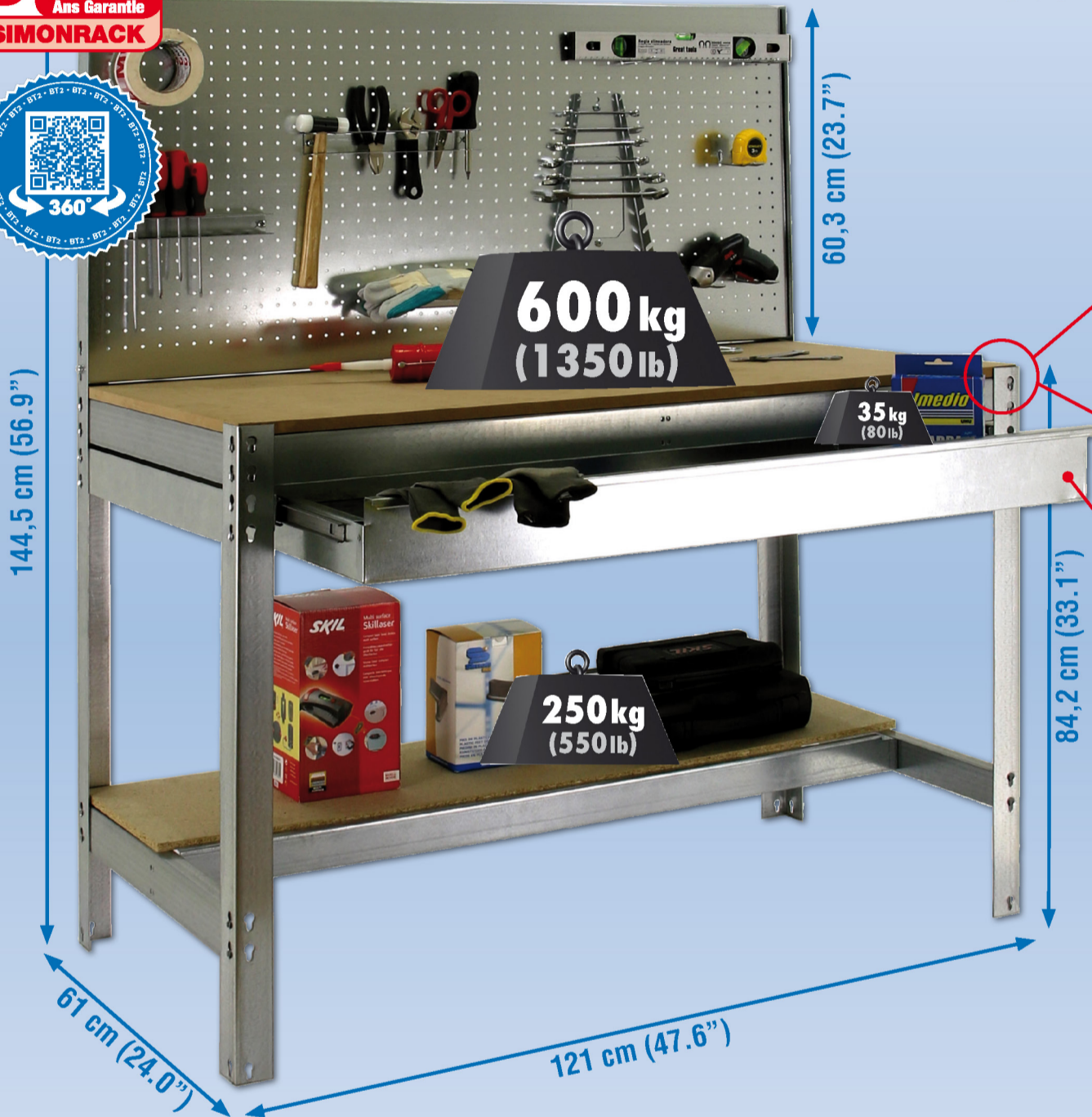
SIMONWORK BT2 BOX 1200



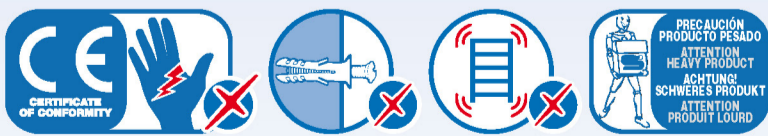
144,5 x 121 x 61 cm
56.9" x 47.6" x 24.0"



5 Años Garantía
 Years Guarantee
 Jahre Garantie
 Ans Garantie
SIMONRACK



- | | | | | |
|--|---|-----------------------|------------------------|---|
| 1 x
120x60 cm
47.2"x23.6" | 2 x
84 cm
33.1"
2 x
144 cm
56.7" | 4 x
60 cm
23.6" | 3 x
120 cm
47.2" | 4 x |
| 1 x
60x120 cm
23.6"x47.2"
1 x
35x120 cm
13.8"x47.2" | 1 x
120 cm
47.2"
60 cm
23.6" | 2 x
60 cm
23.6" | 2 x
58 cm
22.8" | 1 x
35 kg
(80 lb)
56x107 cm
22.0"x42.1" |



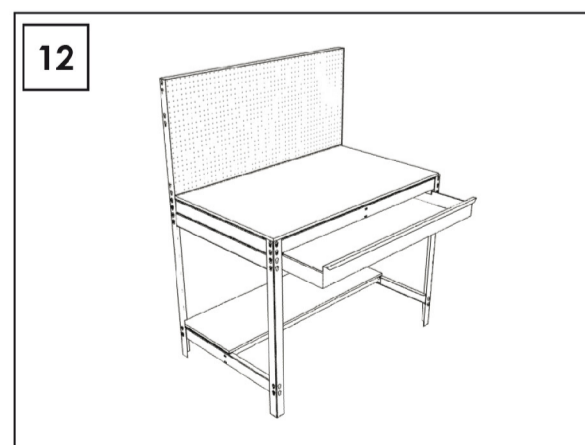
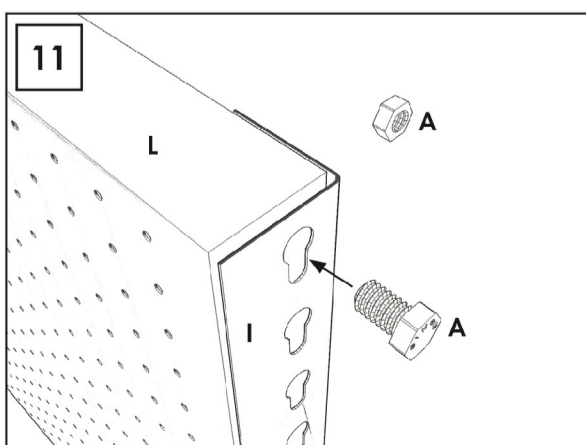
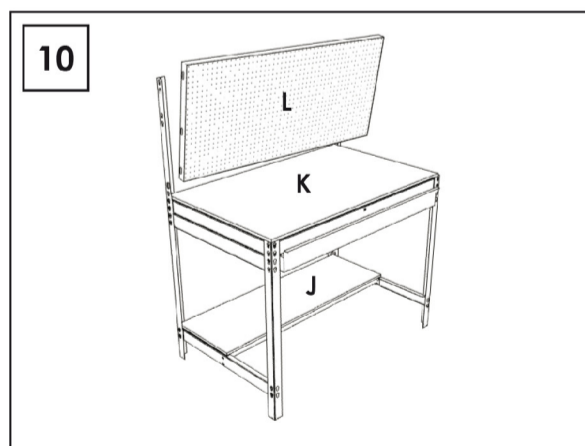
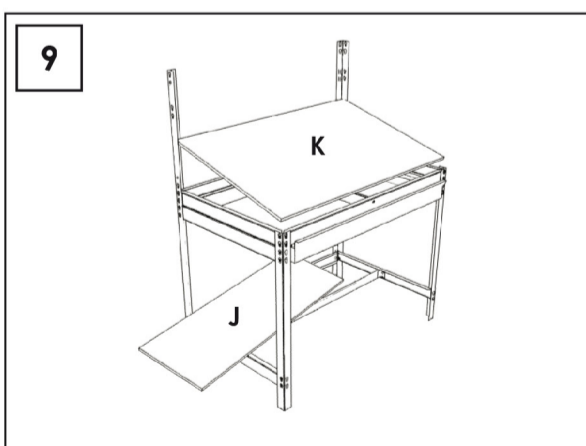
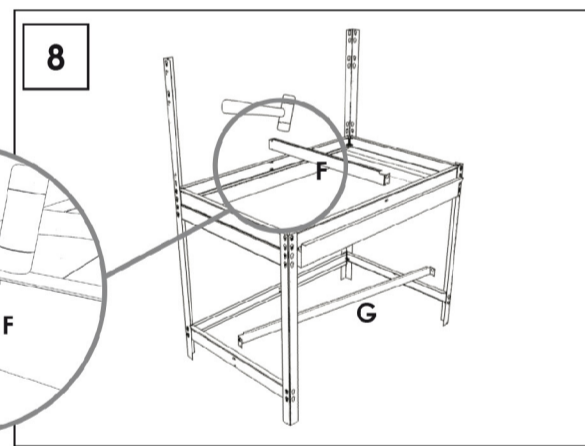
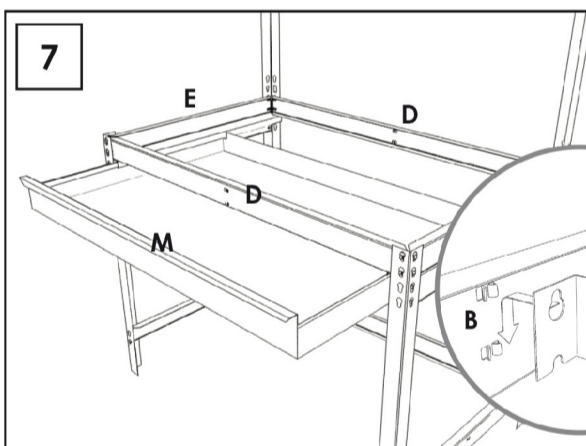
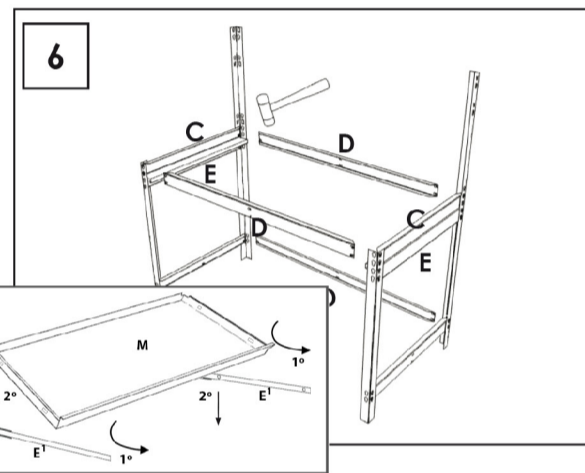
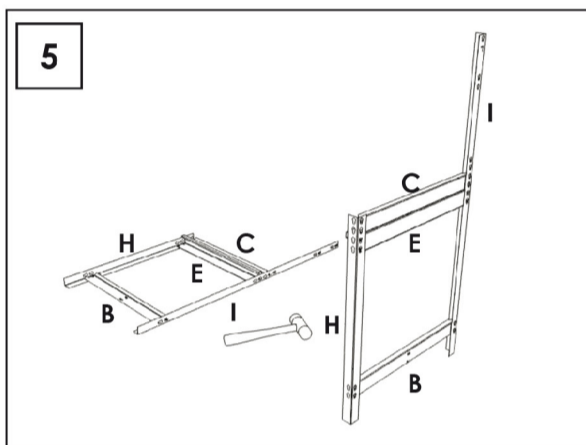
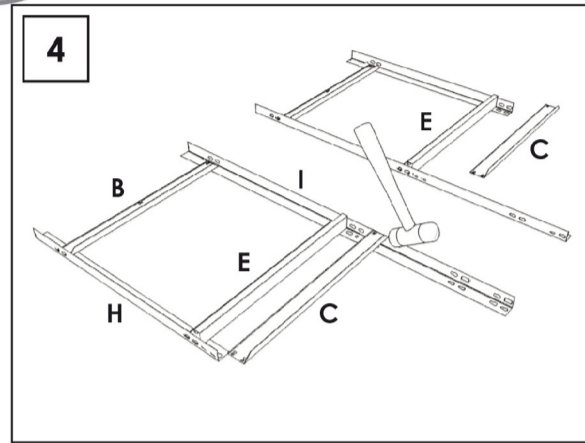
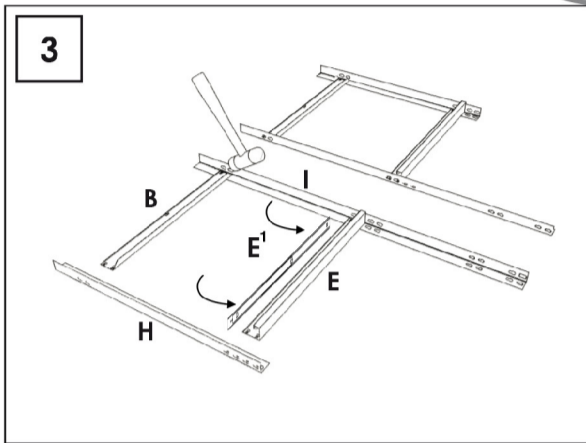
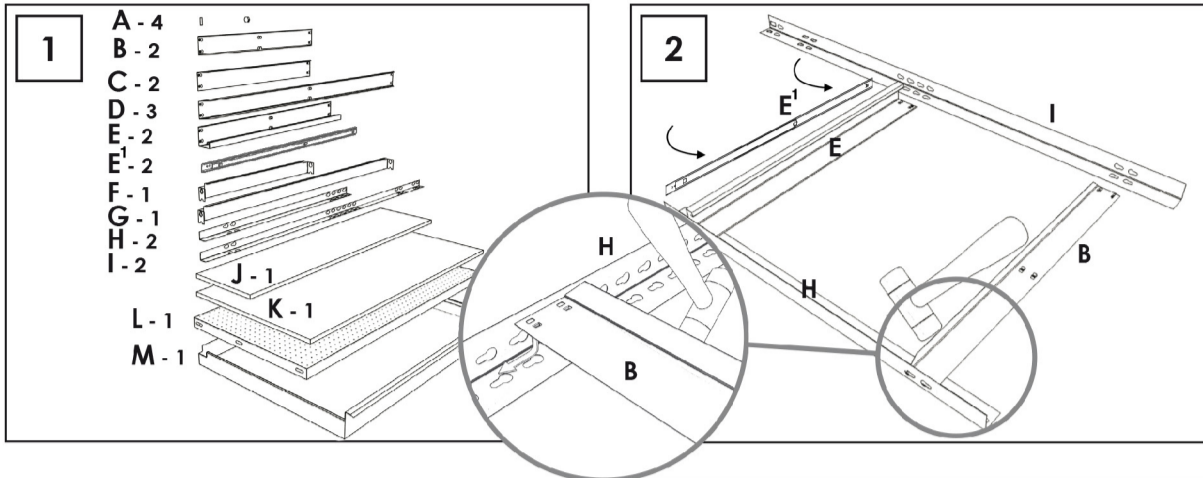
ESTANTERIAS SIMON S.L. B.50.556.463
 PG. ALFAMEN C/ POLIGONO C. Nº3
 ALFAMEN (ZARAGOZA)



www.simonrack.com



INSTRUCCIONES
 INSTRUCTIONS
 ANLEITUNG
 INSTRUCTIONS



SIMONCLASSIC



SIMONCLICK



SIMONTALLER



SIMONAUTO



SIMONWORK



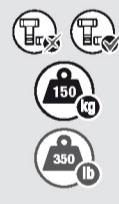
SIMONLOCKER



SIMONOFFICE



SIMONHOME



SIMONGARDEN



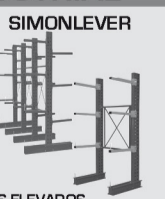
SIMONTITÁN



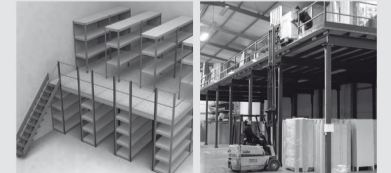
SIMONINOX



SIMONINDUSTRIAL



ALTILLOS Y PASILLOS ELEVADOS
PLATFORMS AND MEZZANINES
LAGERBÜHNEN • PLATES-FORMES ET MEZZANINES



* Kg / lb por bandeja con carga uniformemente repartida
Kg / lb per shelf uniformly distributed load
Kg / lb pro fach bei gleichmäßig verteilter last
Kg / lb par plateau avec charge uniformément répartie

