

SIMONWORK BT2 1500



144,5 x 151 x 61 cm
56.9" x 59.4" x 24.0"



5 Años Garantía
 Years Guarantee
 Jahre Garantie
 Ans Garantie
SIMONRACK



144,5 cm (56.9")



60,3 cm (23.7")



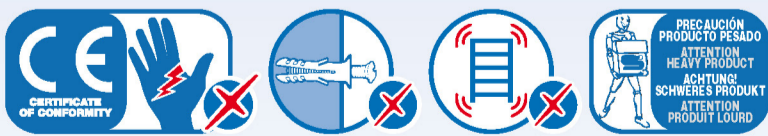
84,2 cm (33.1")

61 cm (24.0")

151 cm (59.4")



- 1 x 150x60 cm (59.1"x23.6")
- 2 x 84 cm (33.1")
- 2 x 144 cm (56.7")
- 4 x 60 cm (23.6")
- 3 x 150 cm (59.1")
- 1 x 60x150 cm (23.6"x59.1")
- 1 x 35x150 cm (13.8"x59.1")
- 1 x 150 cm (59.1")
- 1 x 60 cm (23.6")
- 4 x [Bolt]



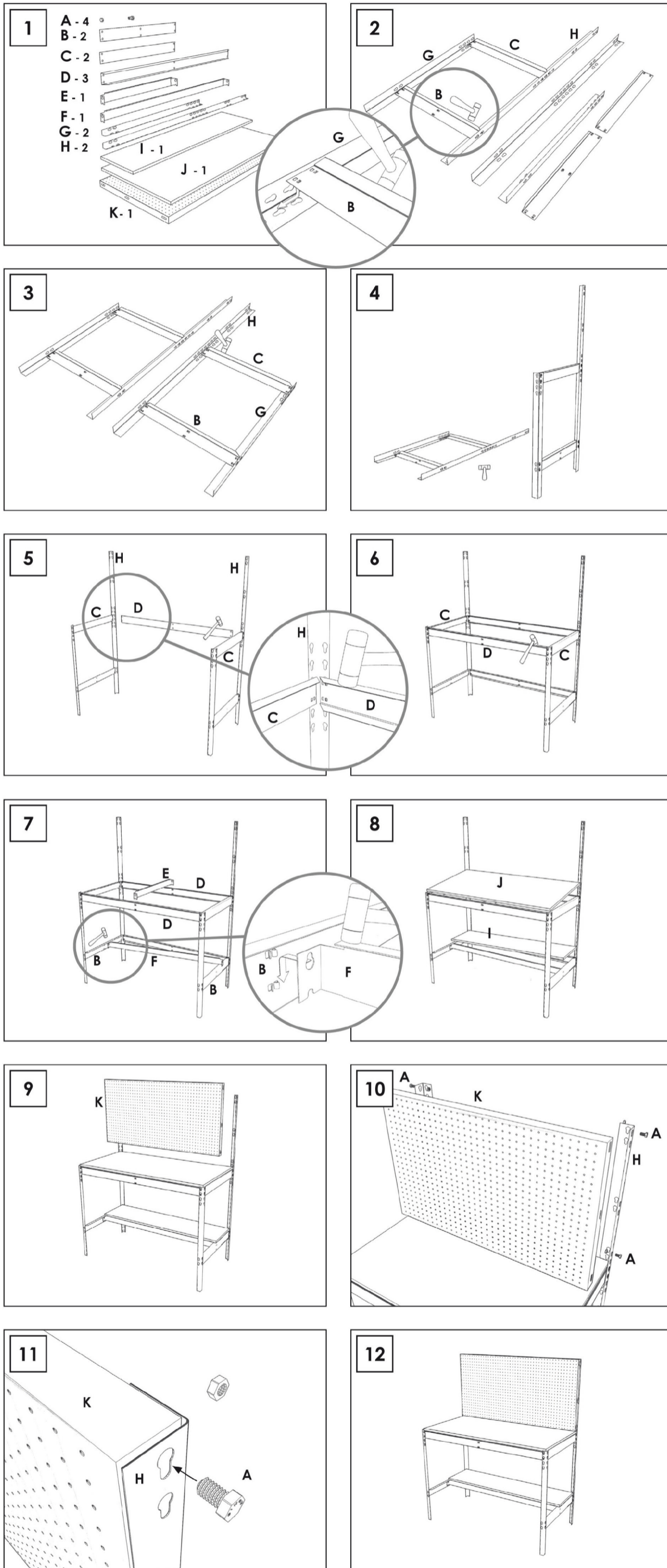
ESTANTERIAS SIMON S.L. B.50.556.463
 PG. ALFAMEN C/ POLIGONO C. Nº3
 ALFAMEN (ZARAGOZA)



www.simonrack.com



INSTRUCCIONES
 INSTRUCTIONS
 ANLEITUNG
 INSTRUCTIONS



www.simonrack.com • www.instructionsrack.com/bt2

SIMONCLASSIC



SIMONCLICK



SIMONTALLER



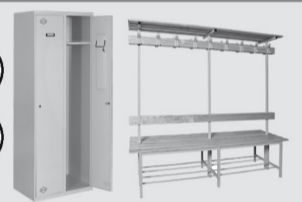
SIMONAUTO



SIMONWORK



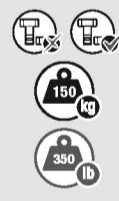
SIMONLOCKER



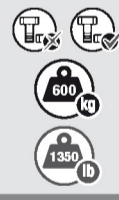
SIMONOFFICE



SIMONHOME



SIMONGARDEN



SIMONTITÁN



SIMONINOX



SIMONINDUSTRIAL

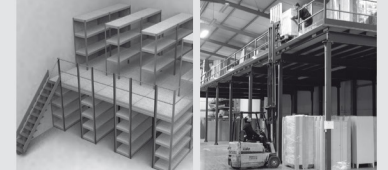
SIMONPALET



SIMONLEVER



ALTILLOS Y PASILLOS ELEVADOS
PLATFORMS AND MEZZANINES
LAGERBÜHNEN • PLATES-FORMES ET MEZZANINES



* Kg / lb por bandeja con carga uniformemente repartida
Kg / lb per shelf uniformly distributed load
Kg / lb pro fach bei gleichmäßig verteilter last
Kg / lb par plateau avec charge uniformément répartie

