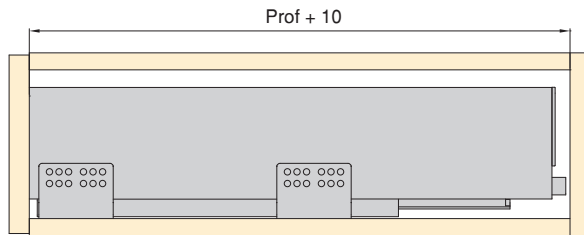
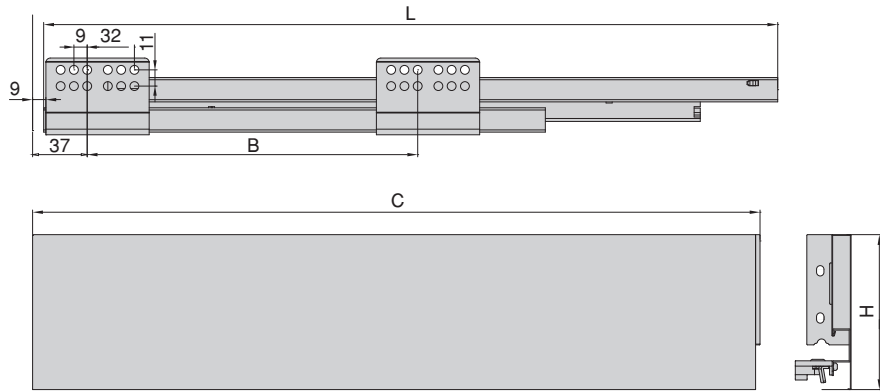
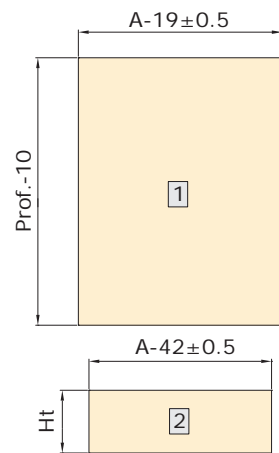
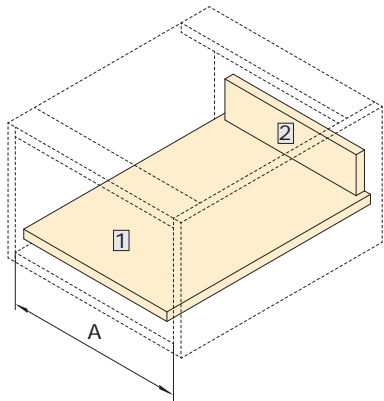


CONCEPT DRAWER / CASSETO CONCEPT / CAJÓN CONCEPT / TIROIR CONCEPT / GAVETA CONCEPT

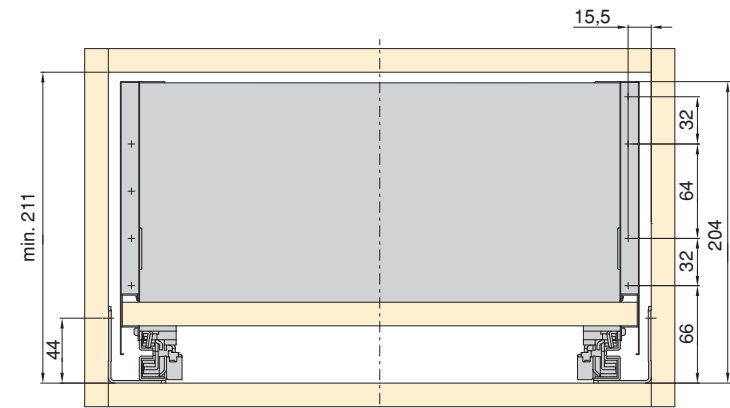
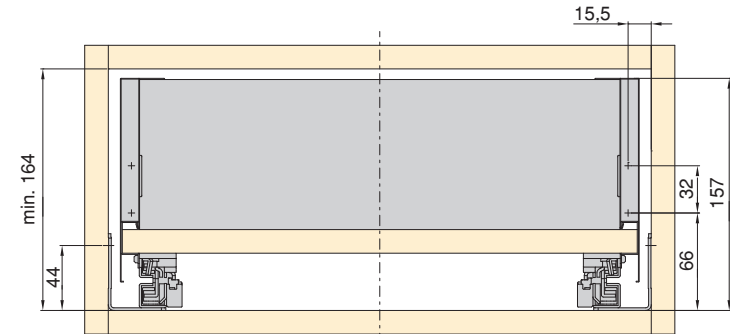
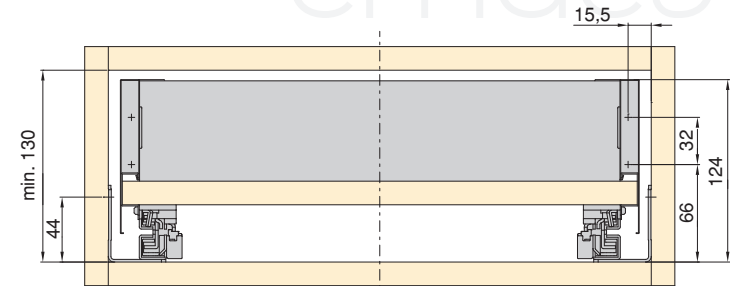


Prof.	L	B	C	H
300	298	128	293	105
350	348	128	343	138
400	398	192	393	185
450	448	224	443	
500	498	224	493	

PANEL DIMENSIONS - DIMENSIONI DEI PANNELLI
DIMENSIONES DE PANELES - DIMENSIONS DES PANNEAUX
DIMENSÕES DOS PAINÉIS

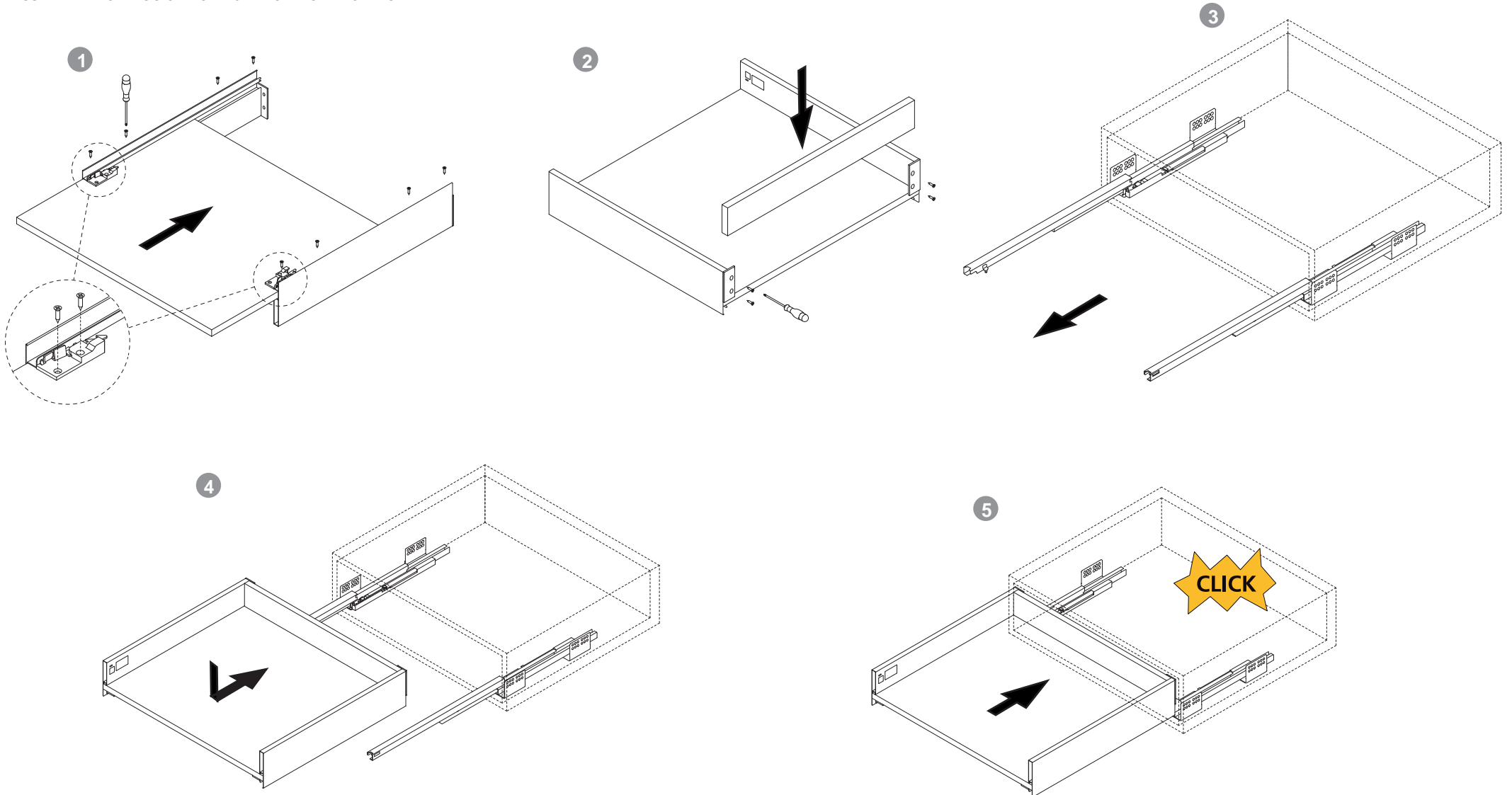


H	Ht
105	68
138	102
185	149



CONCEPT DRAWER / CASSETO CONCEPT / CAJÓN CONCEPT / TIROIR CONCEPT / GAVETA CONCEPT

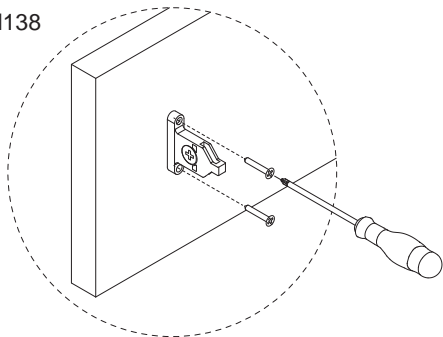
ASSEMBLY - MONTAGGIO - MONTAJE - MONTAGE - MONTAGEM



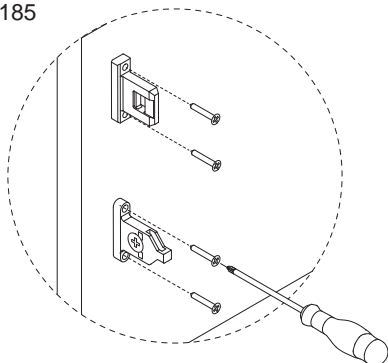
CONCEPT DRAWER / CASSETO CONCEPT / CAJÓN CONCEPT / TIROIR CONCEPT / GAVETA CONCEPT

6

H105
H138

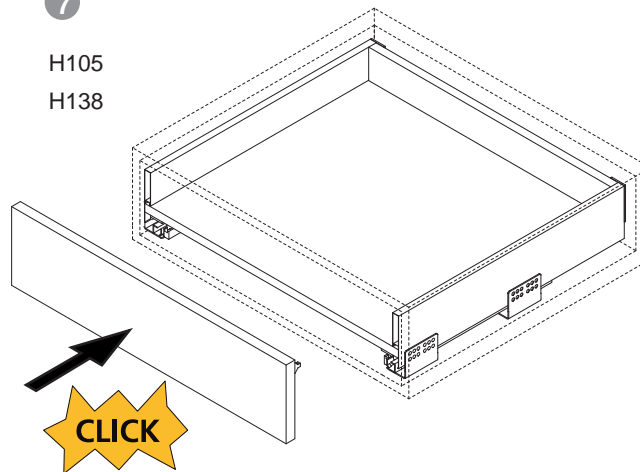


H185

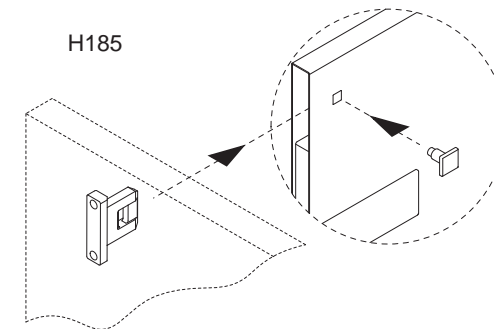


7

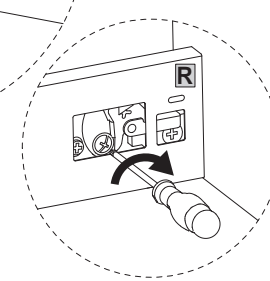
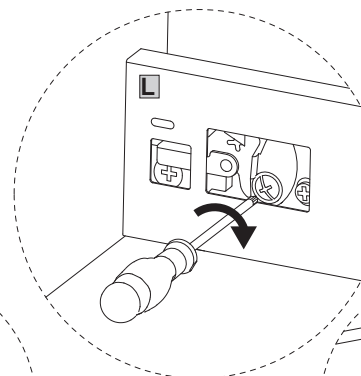
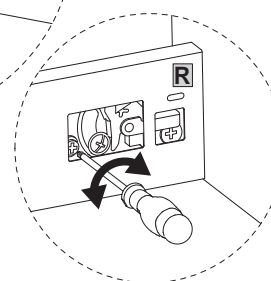
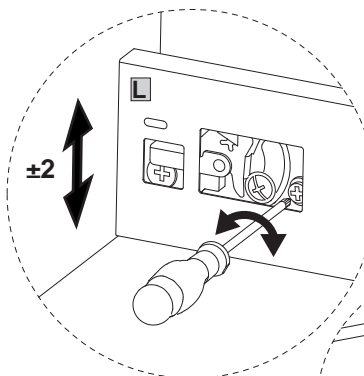
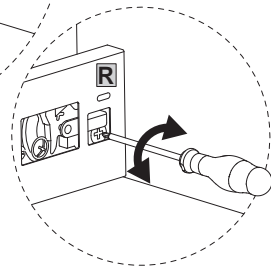
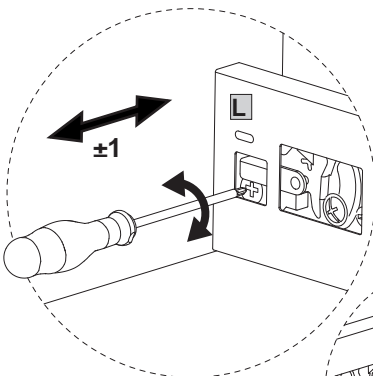
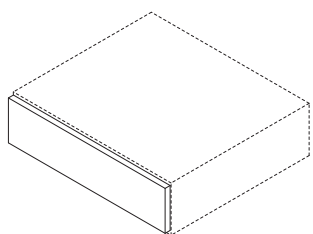
H105
H138



H185

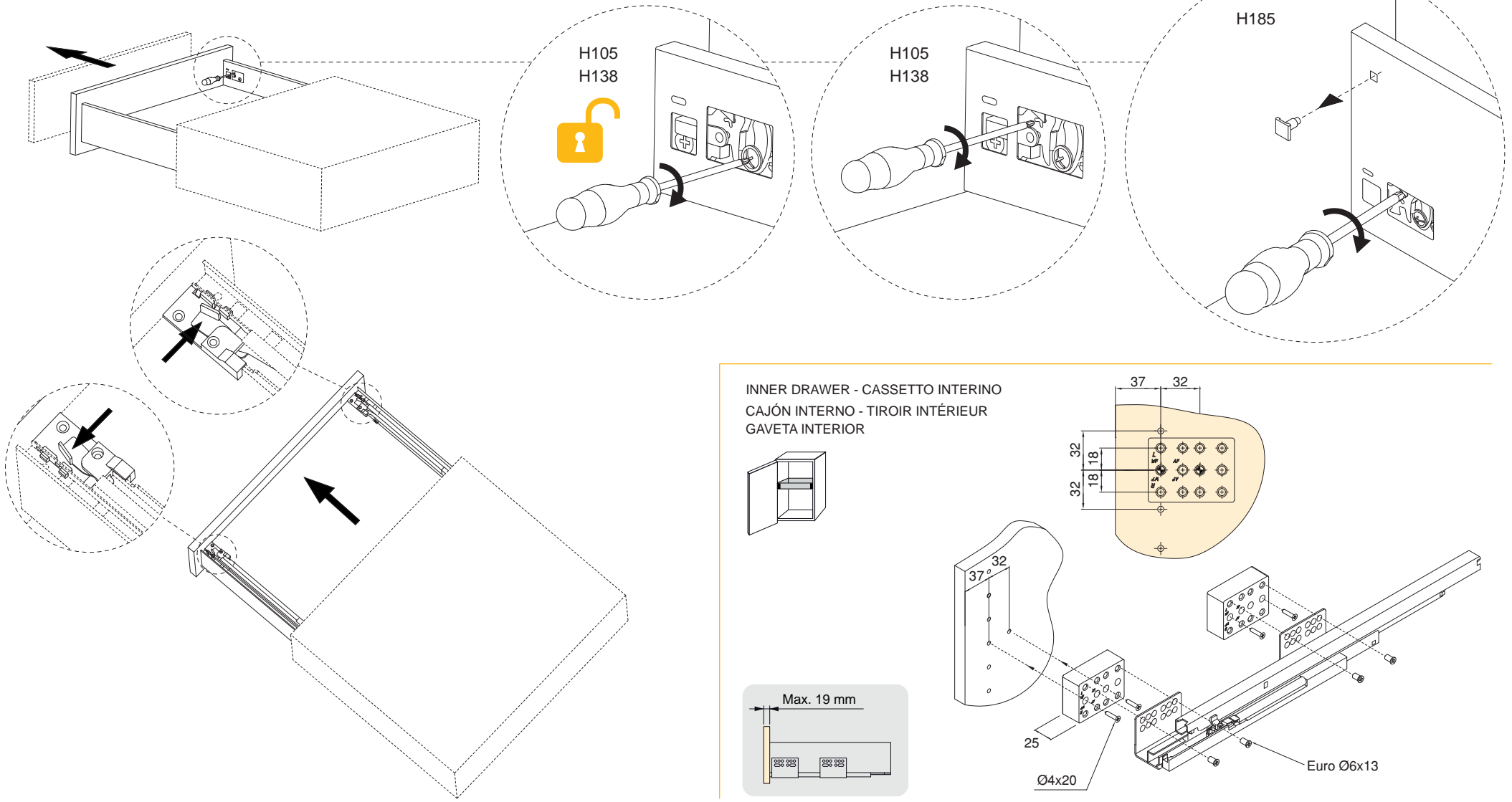


ADJUSTMENT - REGOLAZIONE - REGULACIÓN - RÉGLAGE - REGULAÇÃO



CONCEPT DRAWER / CASSETO CONCEPT / CAJÓN CONCEPT / TIROIR CONCEPT / GAVETA CONCEPT

DISMOUNTING - SMONTAGGIO - DESMONTAJE - DÉMONTAGE - DESMONTAGEM



INNER DRAWER - CASSETTO INTERINO
CAJÓN INTERNO - TIROIR INTÉRIEUR
GAVETA INTERIOR



EMUCA, S.A.
Valencia (España)
T. +34 96 166 70 19
F. +34 96 166 71 82



EMUCA, S.R.L.
Padova (Italy)
T. +39 049 8702800
F. +39 049 8703019



EMUCA, Ltd.
Chelmsford ESSEX (UK)
T. +44 1268 530674
F. +44 1268 828592

EMUCA, S.A.R.L.
Nantes (France)
T. +33 2 49 88 07 35
F. +33 2 72 22 02 24

EMUCA, Lda.
Lisboa (Portugal)
T. +351 211 203 940
F. +34 96 166 71 82